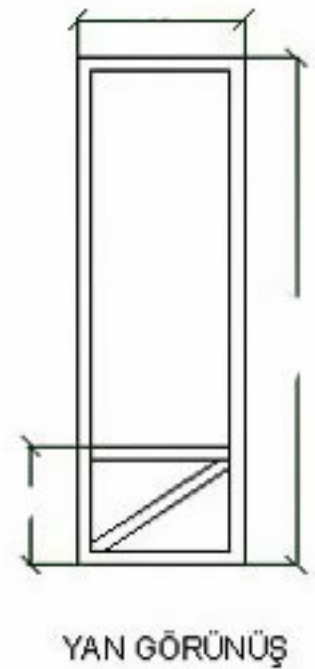
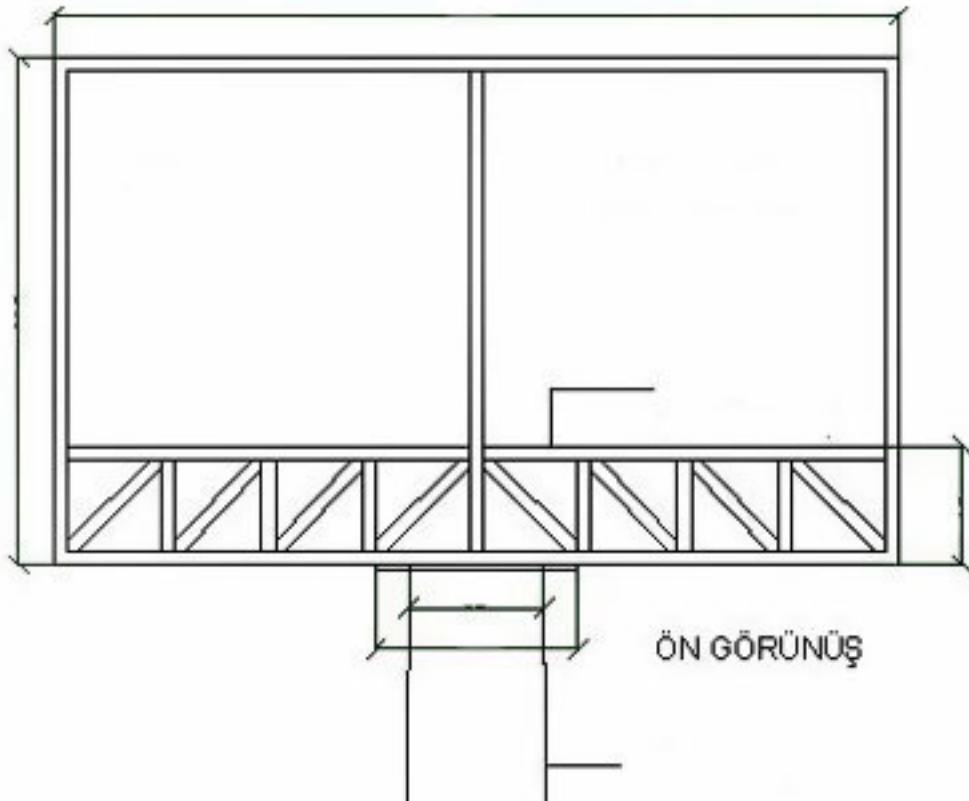
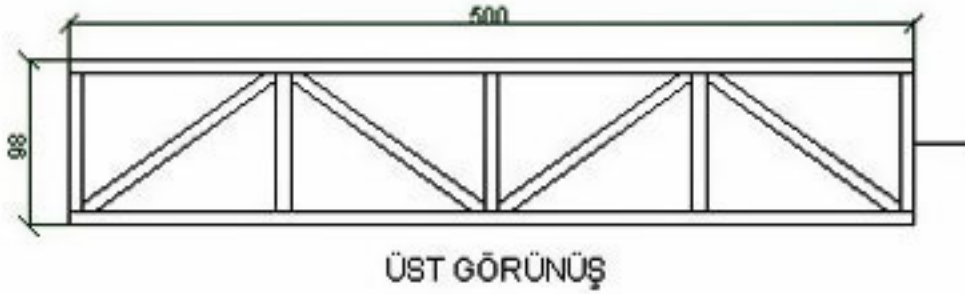
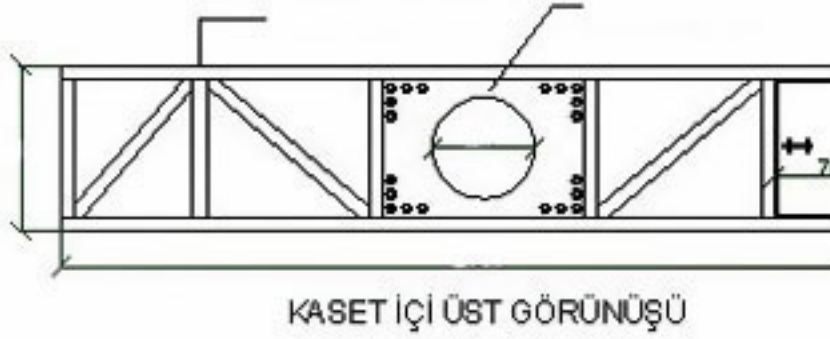
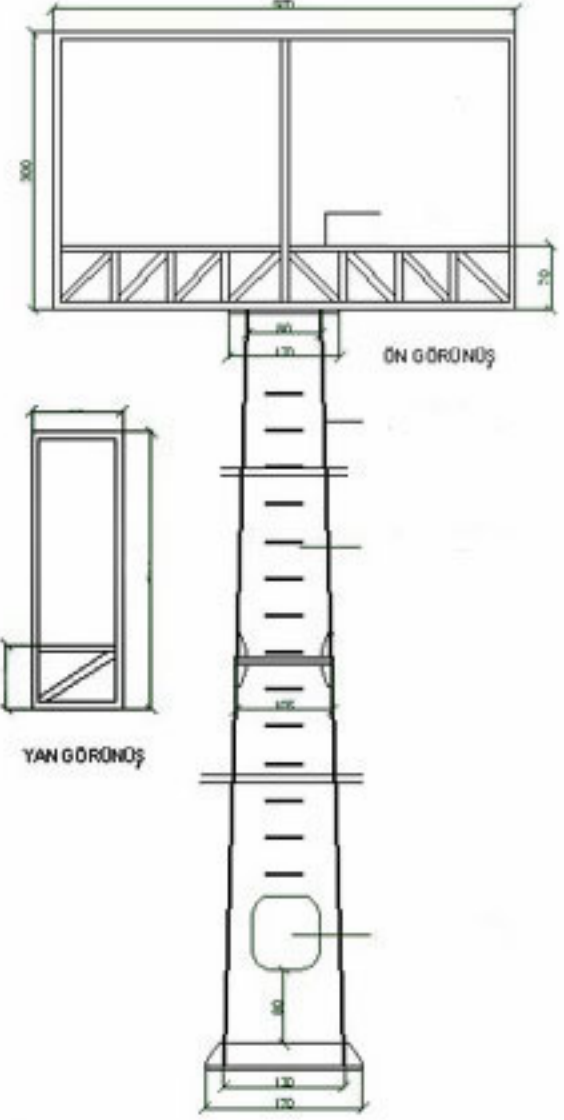


# Detakom

## POLE WITH TOTEM SIGN CONCEALMENT

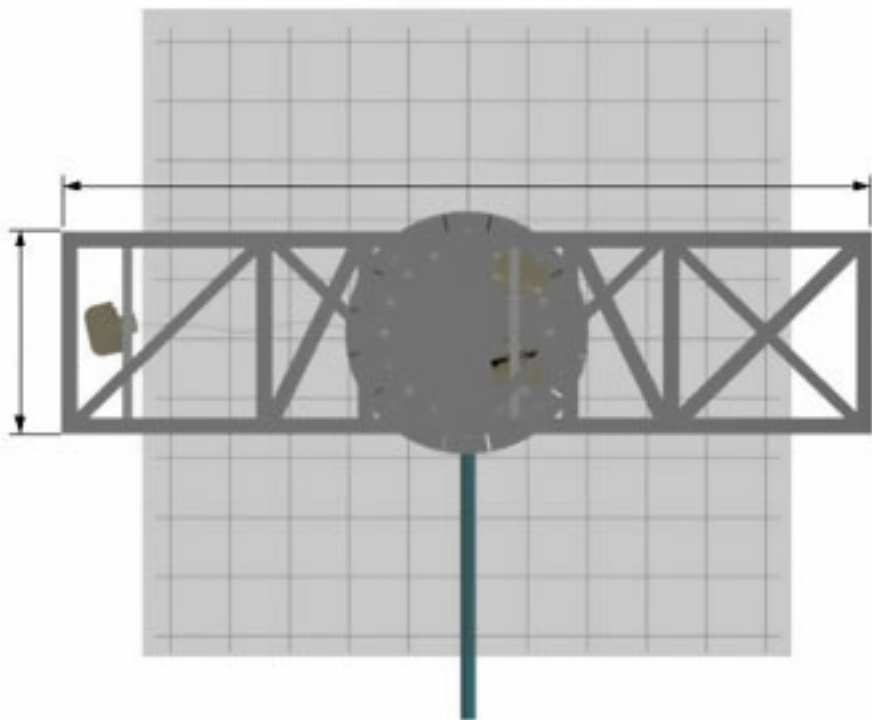
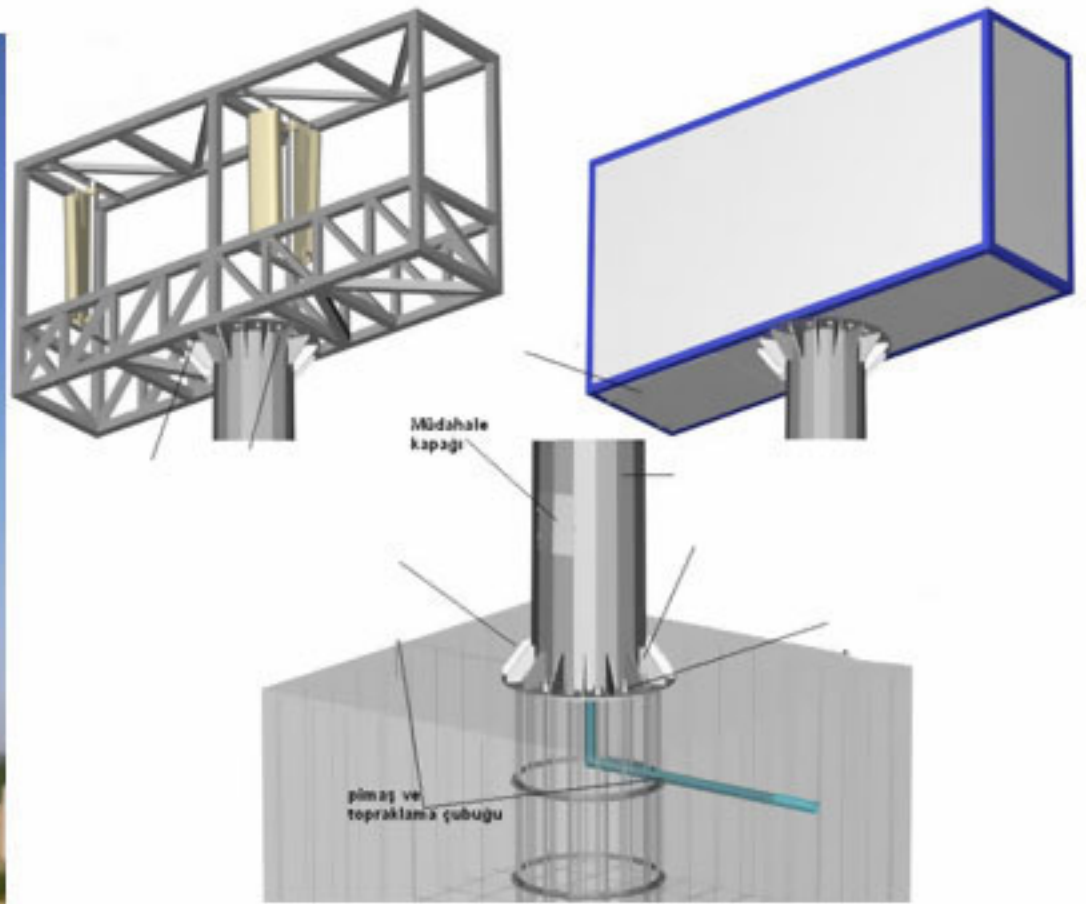
### Project - 1



# Detakom

## POLE WITH TOTEM SIGN CONCEALMENT

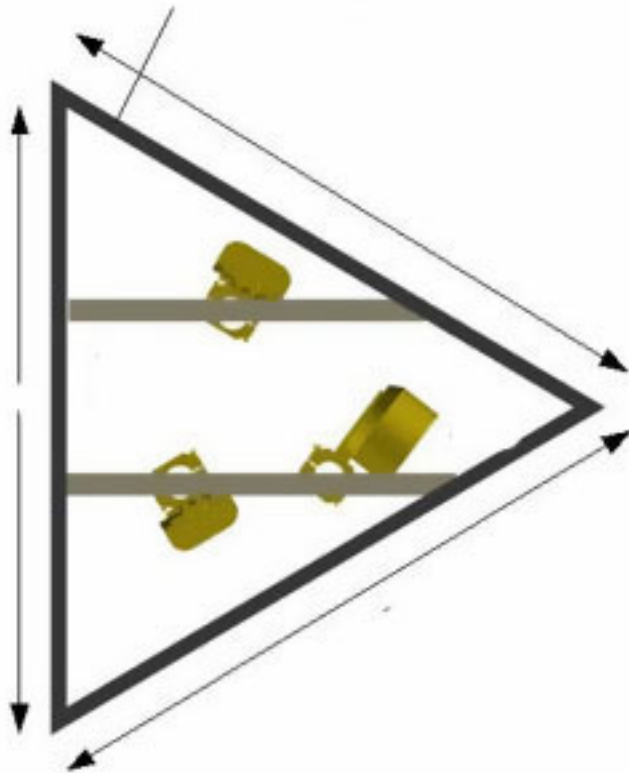
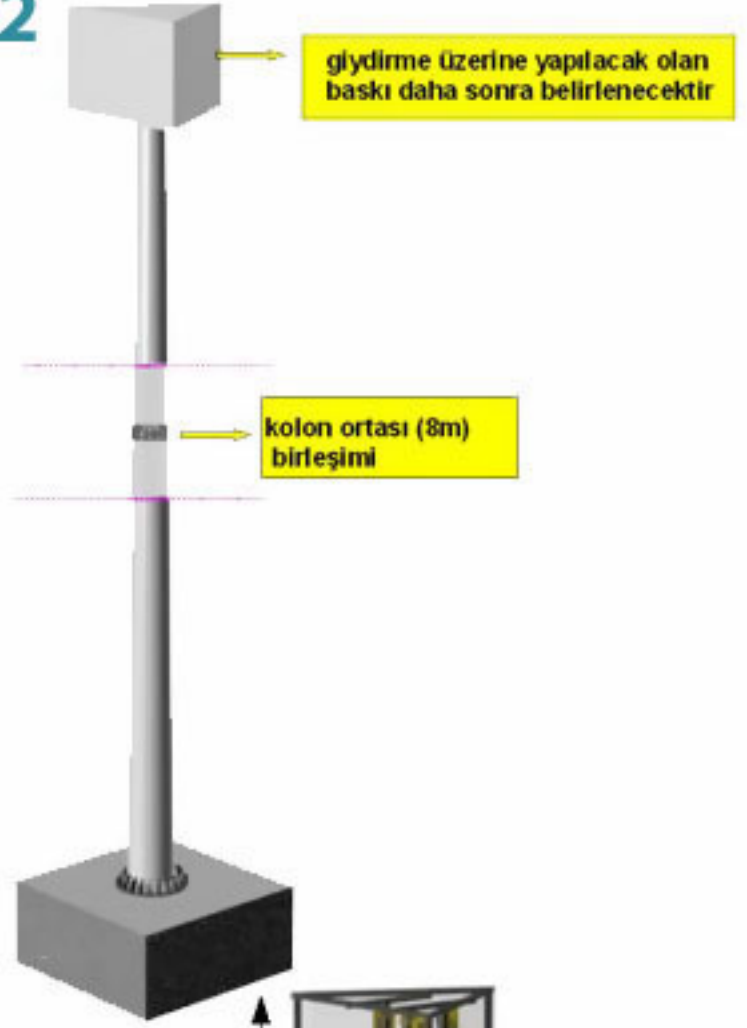
### Project - 10



# Detakom

## POLE WITH TOTEM SIGN CONCEALMENT

### Project - 2

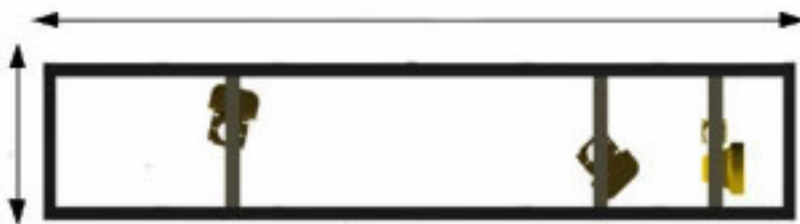
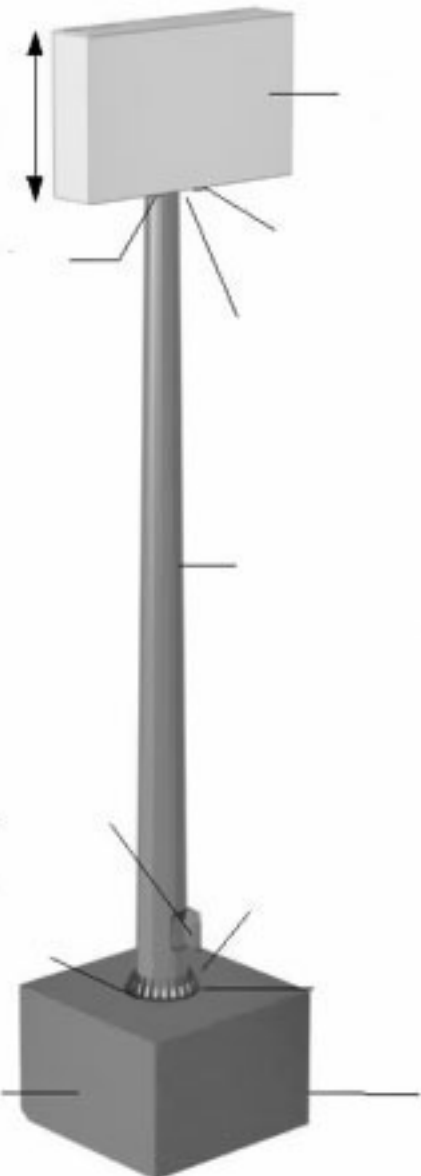
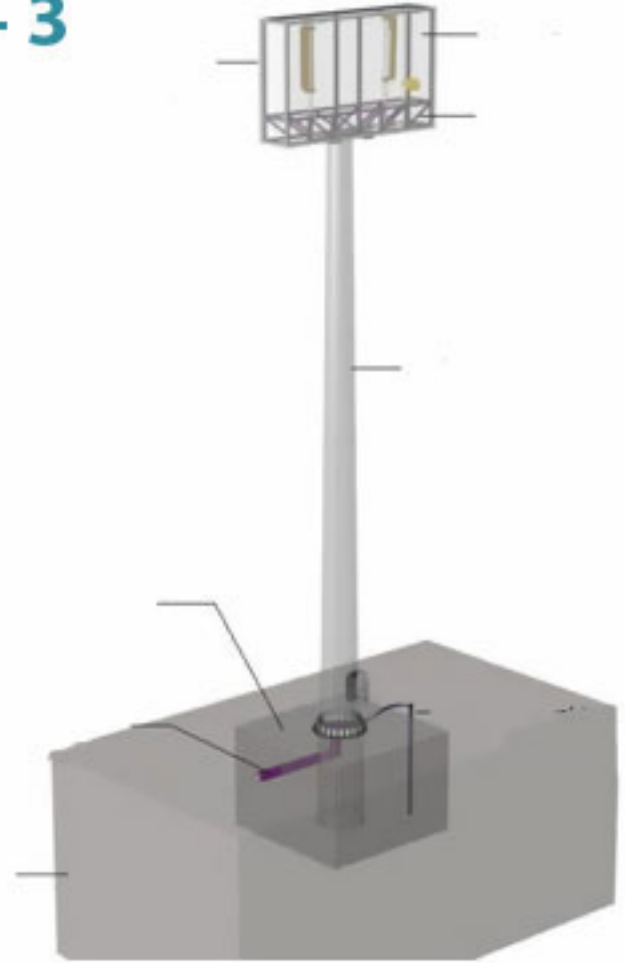


# Detakom

## POLE WITH TOTEM SIGN CONCEALMENT



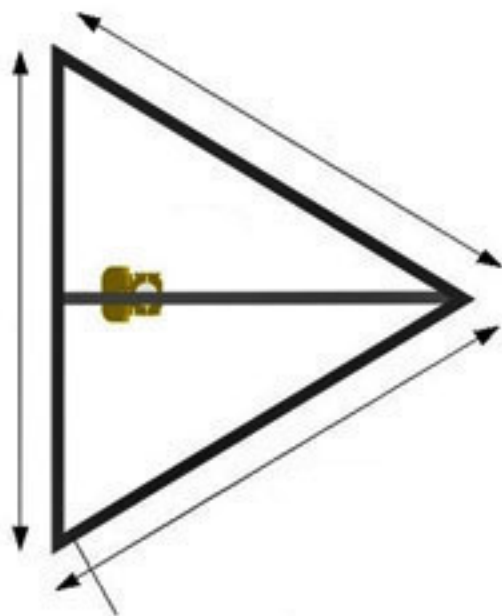
### Project - 3



# Detakom

## POLE WITH TOTEM SIGN CONCEALMENT

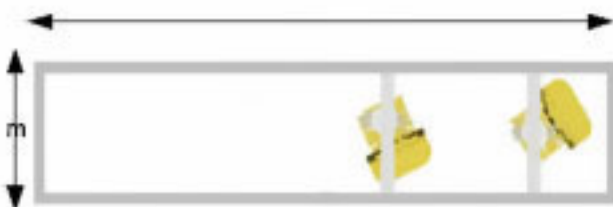
### Project - 4



# Detakom

## POLE WITH TOTEM SIGN CONCEALMENT

### Project - 5



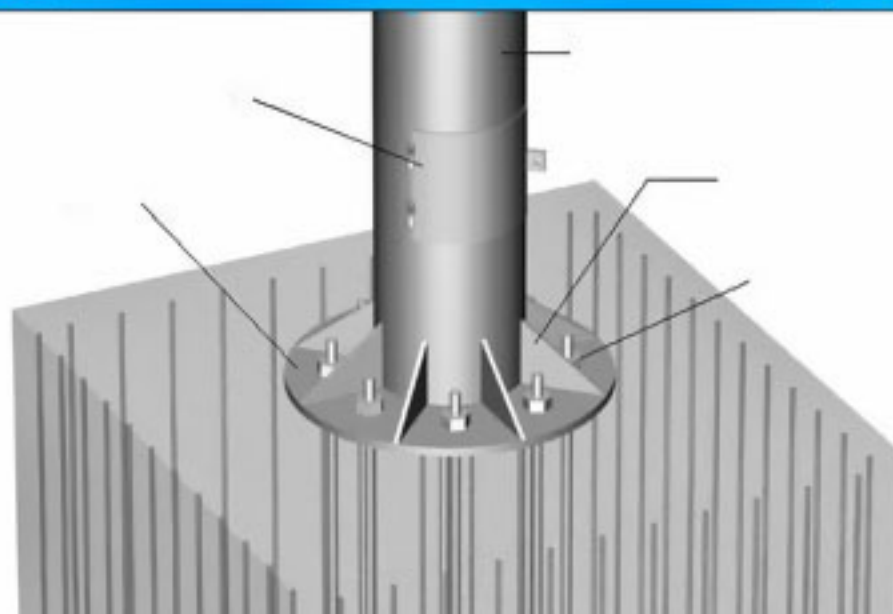
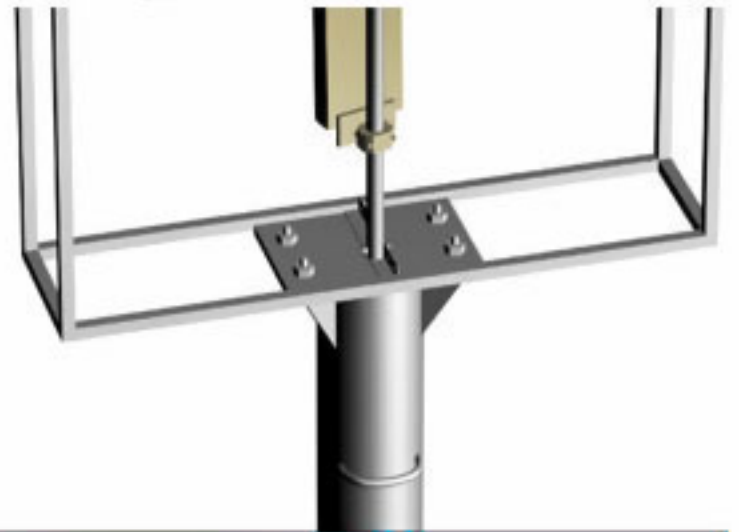
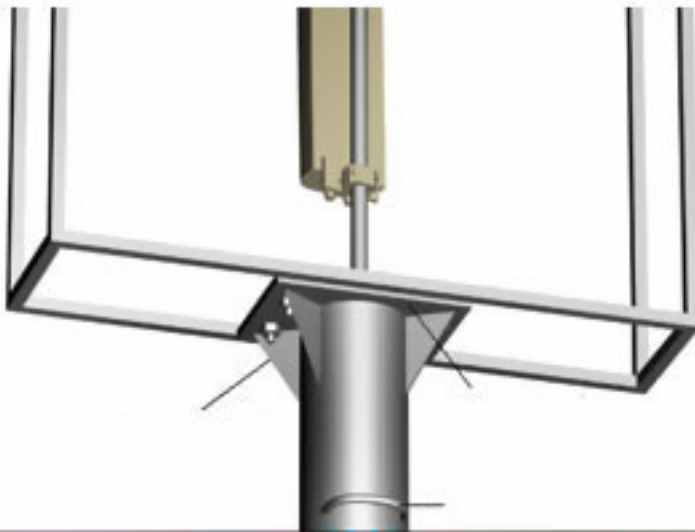
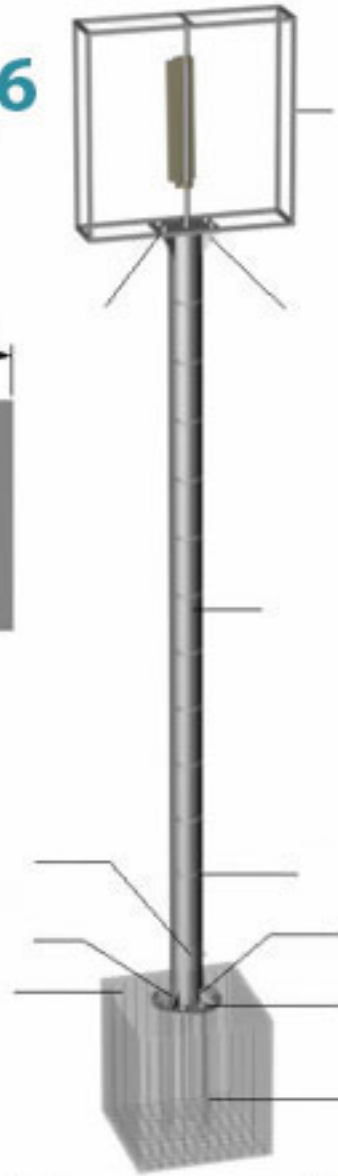
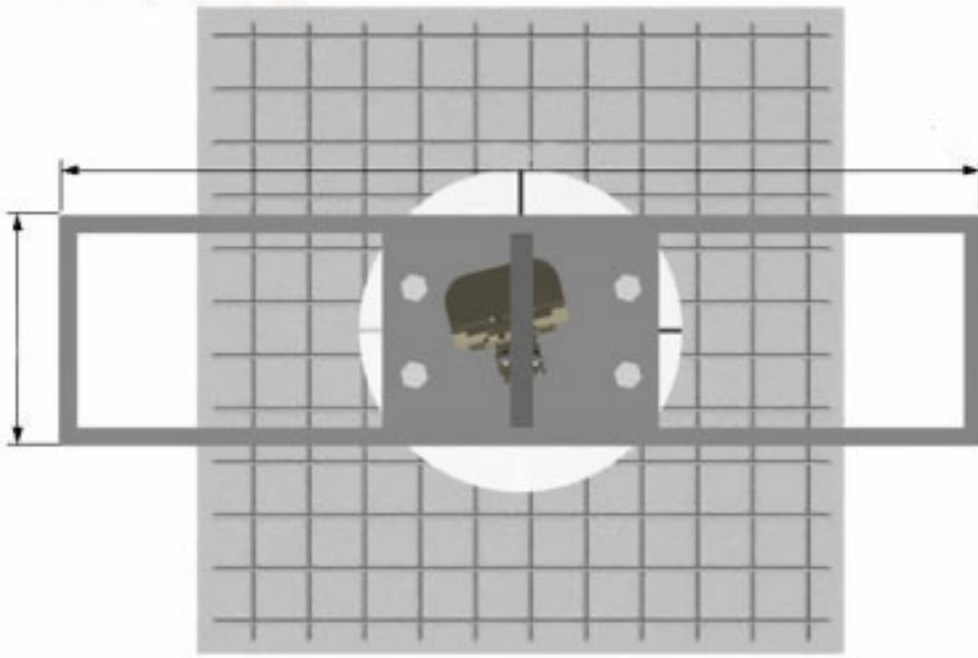


# Detakom



## POLE WITH TOTEM SIGN CONCEALMENT

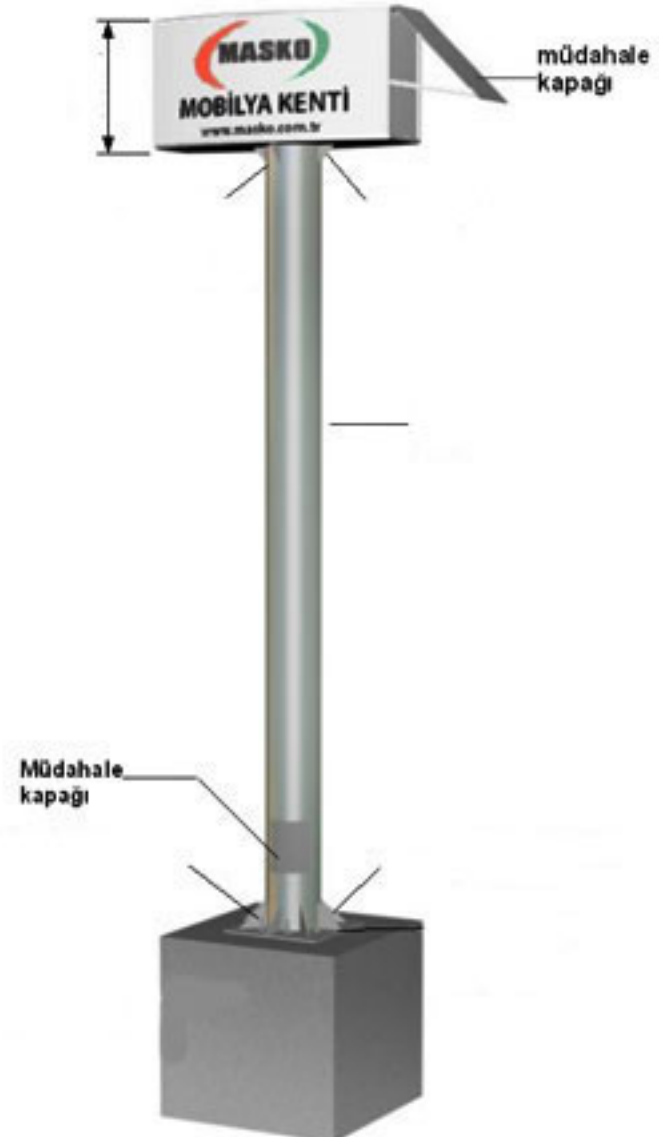
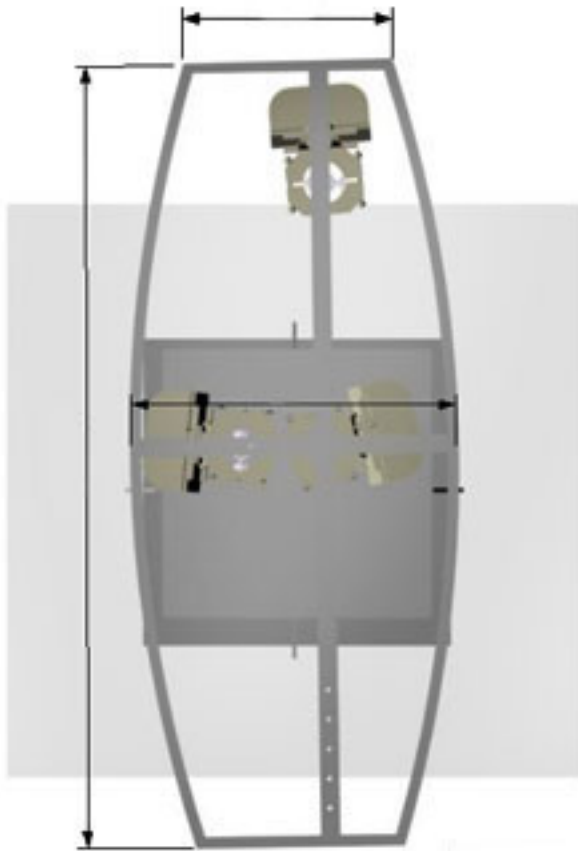
### Project - 6



# Detakom

## POLE WITH TOTEM SIGN CONCEALMENT

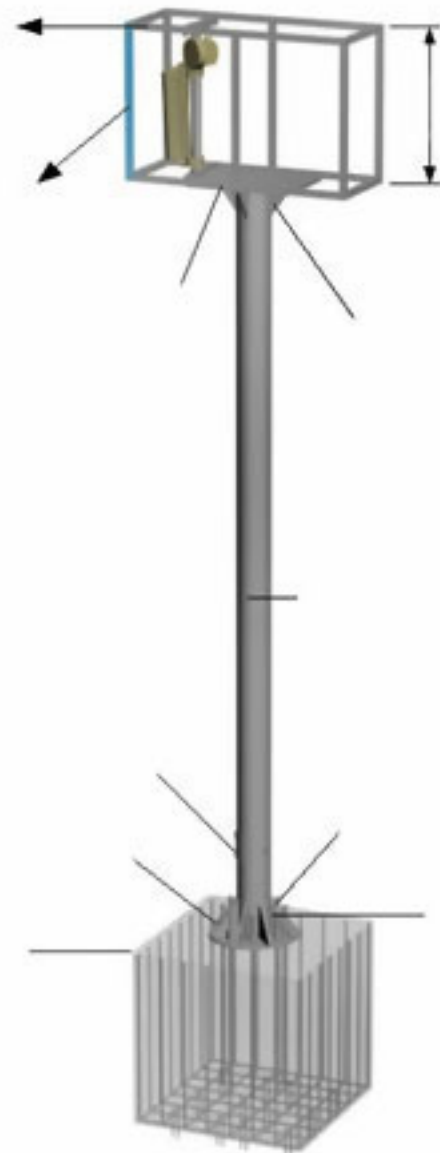
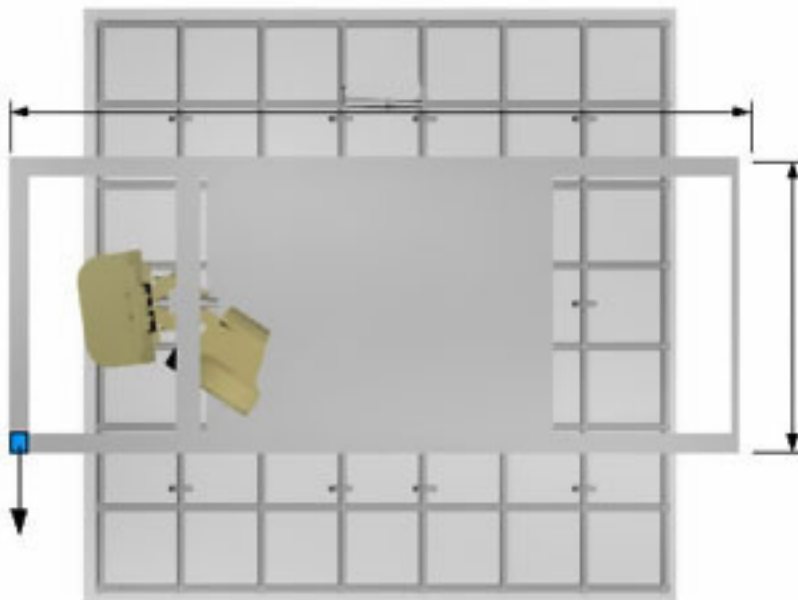
### Project - 7



# Detakom

## POLE WITH TOTEM SIGN CONCEALMENT

### Project - 8



# Detakom



## POLE WITH TOTEM SIGN CONCEALMENT

### Project - 9

